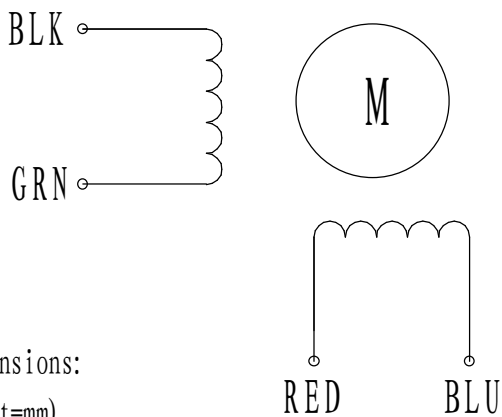


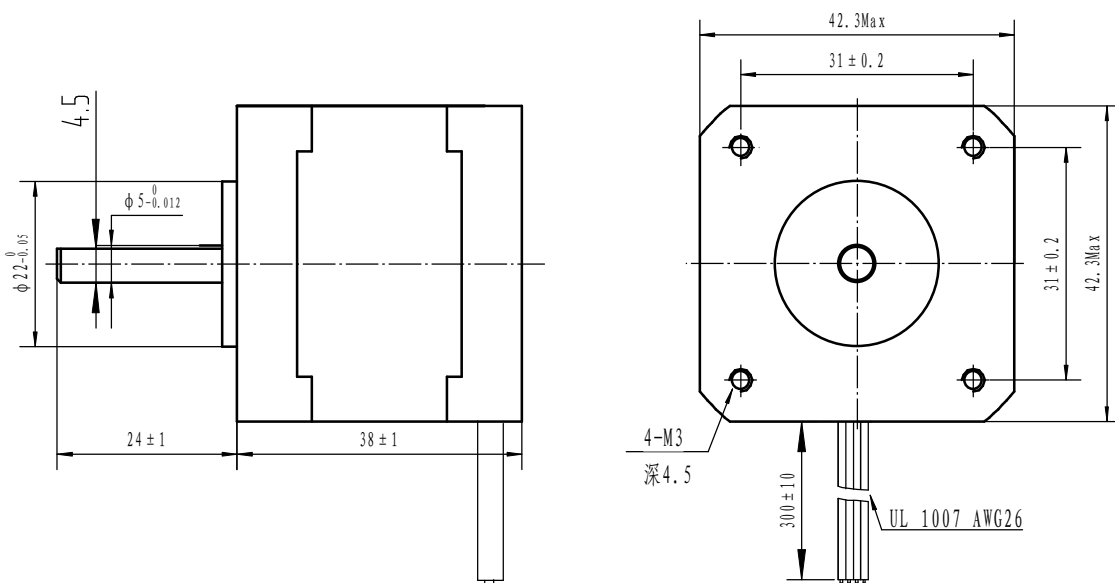
# HIGH TORQUE HYBRID STEPPING MOTOR SPECIFICATIONS

General specifications		Electrical specifications	
Step Angle (°)	1.8	Rated Voltage (V)	2.8
Temperature Rise (°C)	80 Max (rated current, 2 phase on)	Rated Current (A)	1.68
Ambient Temperature (°C)	-20 ~ +50	Resistance Per Phase ( $\pm 10\%$ $\Omega$ )	1.65 (25°C)
Number of Phase	2	Inductance Per Phase ( $\pm 20\%$ mH)	3.2
Insulation Resistance (M $\Omega$ )	100 Min (500VDC)	Holding torque (N.cm)	36
Insulation Class	Class B		
Max. radial force (N)	28 (20mm from the flange)		
Max. axial force (N)	10		

## ● Wiring Diagram :

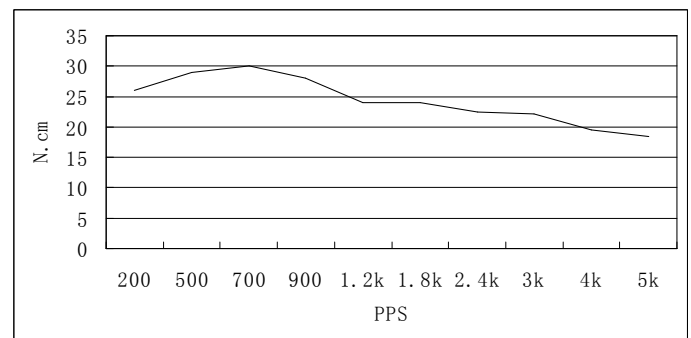


● Dimensions:  
(unit=mm)



## ● PULL out torque curve :

VOLTAGE: 24VDC CONSTANT CURRENT : 1.68A HALF STEP



REV	REVISIONS	DESCRIPTION	BY	DATE	SY42STH38-1684A	TECHNICAL CONDITIONS

This document was created with Win2PDF available at <http://www.win2pdf.com>.  
The unregistered version of Win2PDF is for evaluation or non-commercial use only.  
This page will not be added after purchasing Win2PDF.